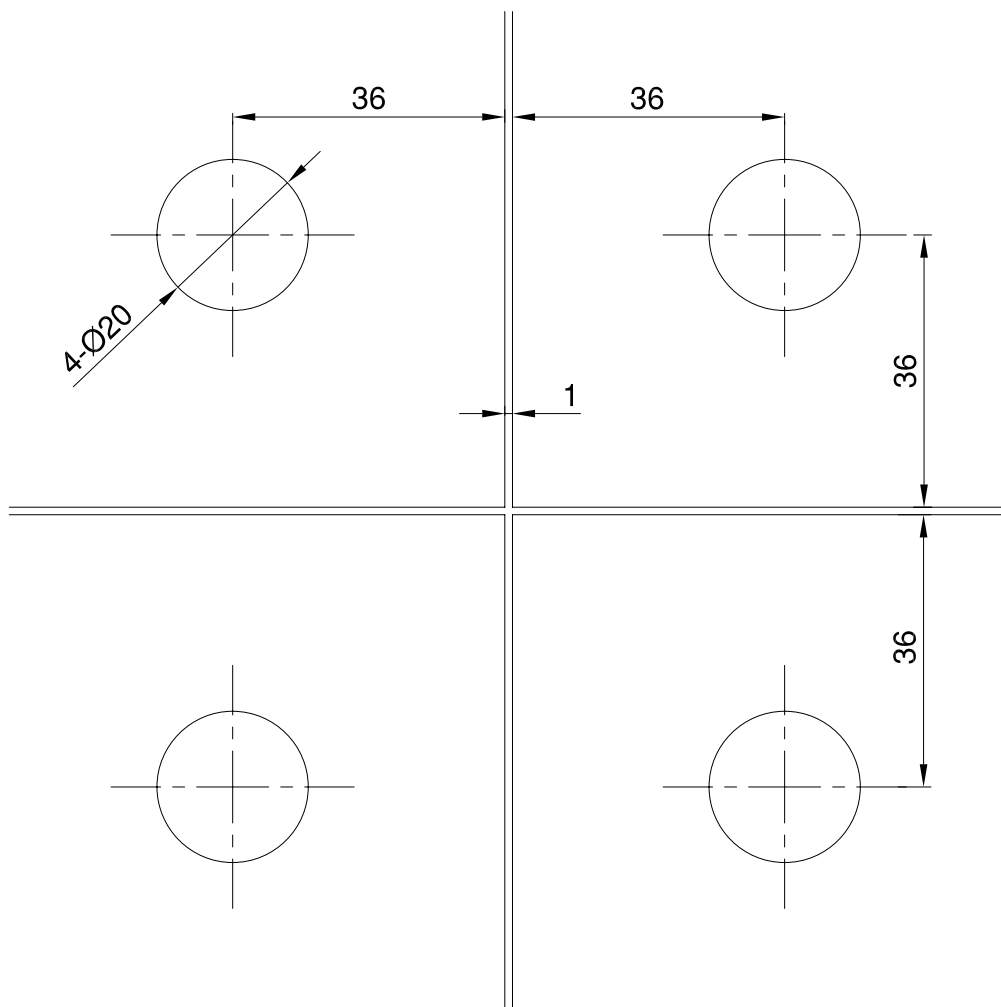
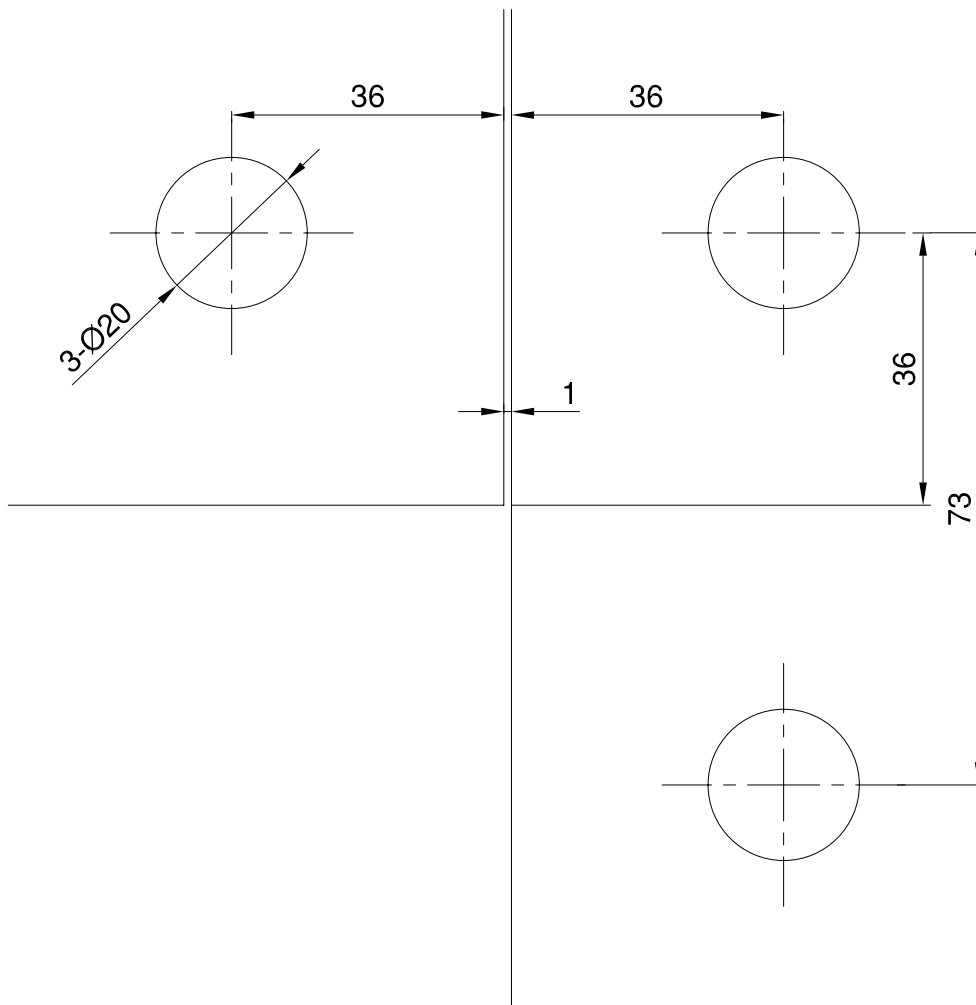


GLASS CUTOUT



SCALE 1:1

CONNECTOR FOR OVERPANEL &
SIDE PANEL FOR DOUBBLE OR
SINGLE ACTION DOORS
GLASS CUTOUT

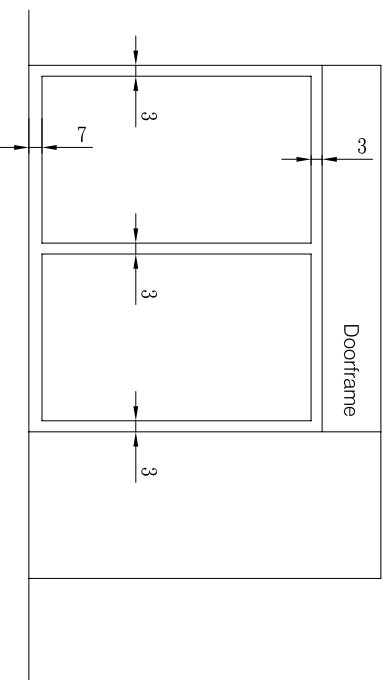


SCALE 1:1

GLASS DOOR INSTALLATION INSTRUCTION

1. Patch fittings

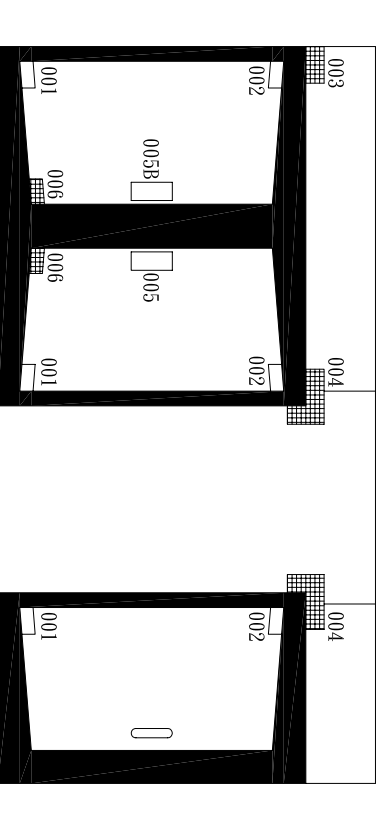
Usage are both decorative and functional products used for glass doors and can be used for floor springs.



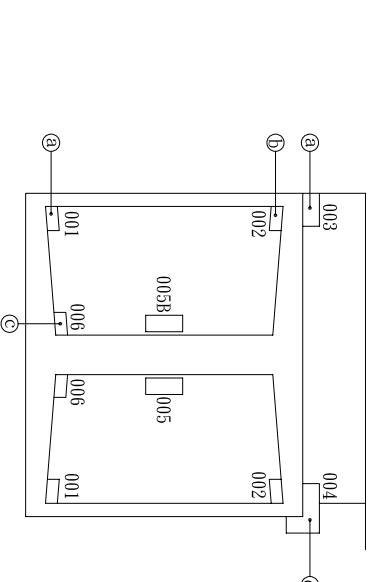
2. Gaps Between Glass Door and Doorframe:

3. Installation Position:

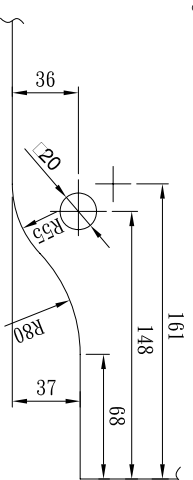
PT10:BOTTOM 002:TOP 003:Upper 004:Corner 006:Look
005:Central Look 005B:Central



4. Glass Door Cutting Dimensions

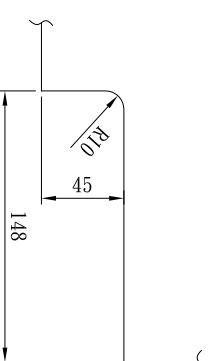
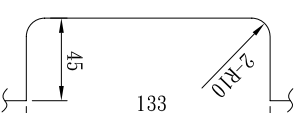


001 , 002 , 003

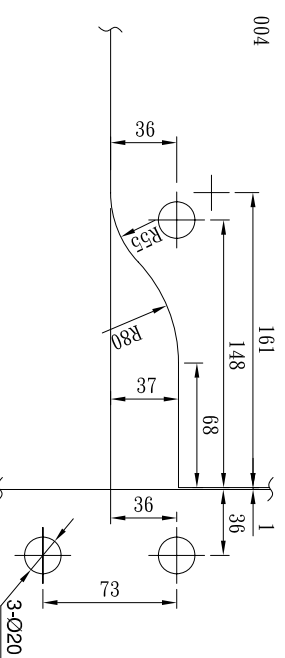


005 , 005B

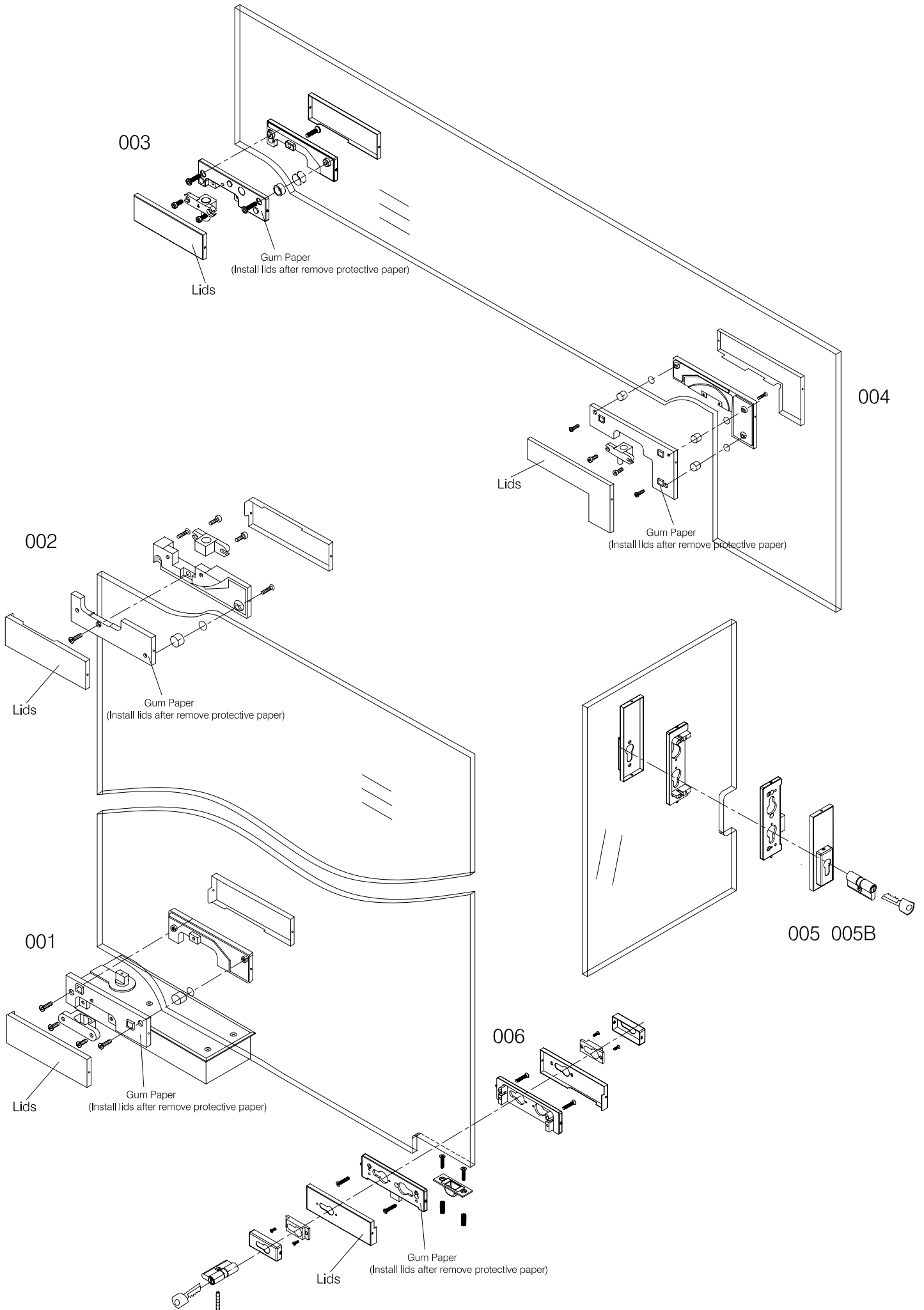
006



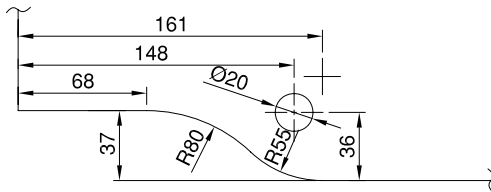
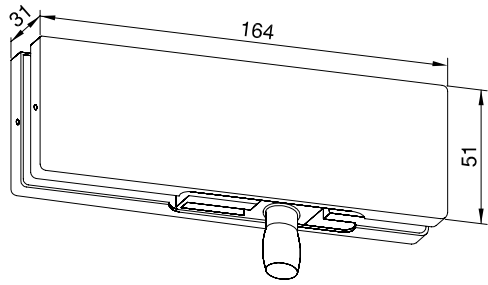
004



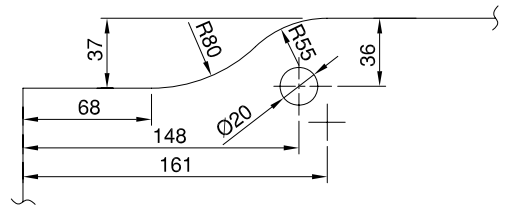
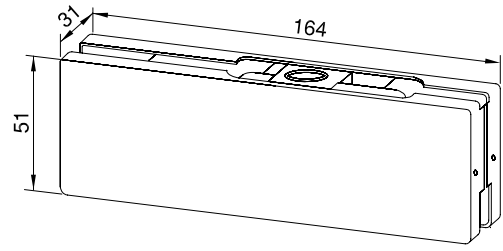
5. Installation Drawings:



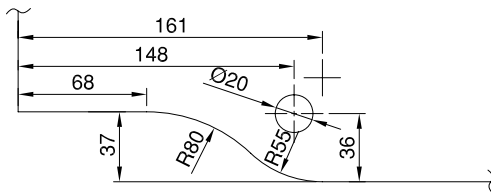
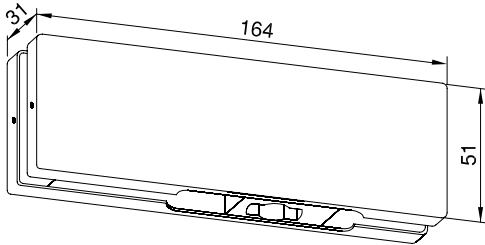
INSTALLATION INSTRUCTION



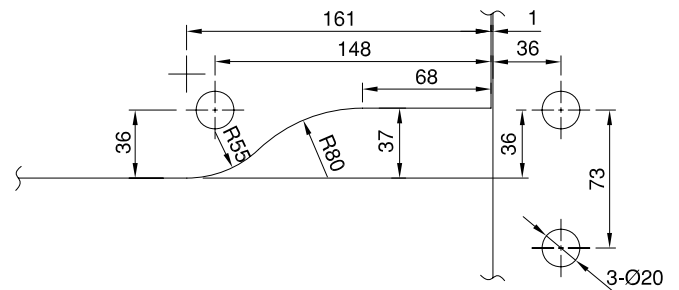
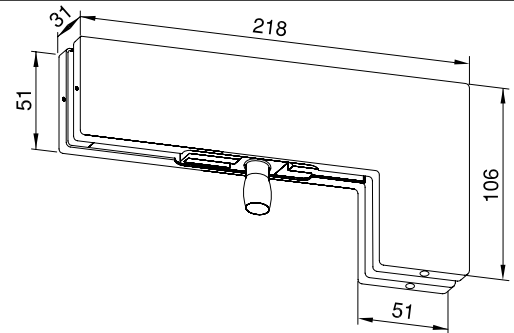
OVERPANEL PIVOT PATCH FITTING



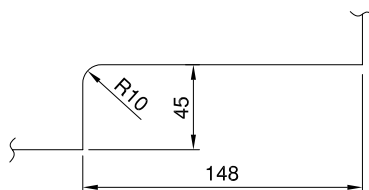
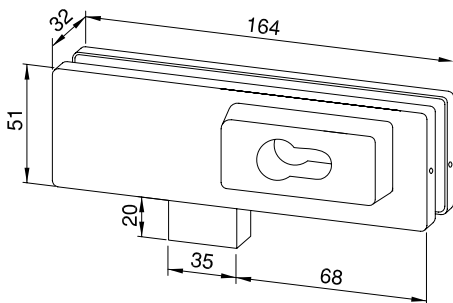
TOP PATCH FITTING



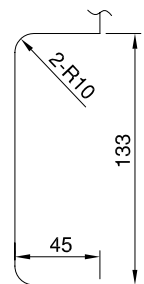
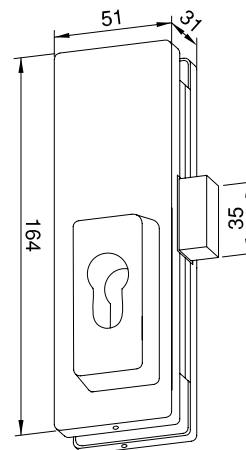
BOTTOM PATCH FITTING

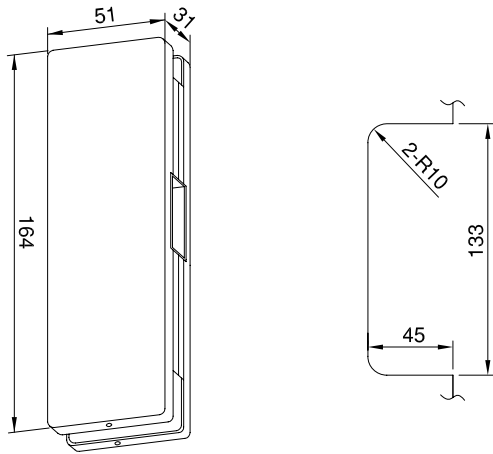


OVERPANEL TO SIDEPANEL PIVOT PATCH FITTING

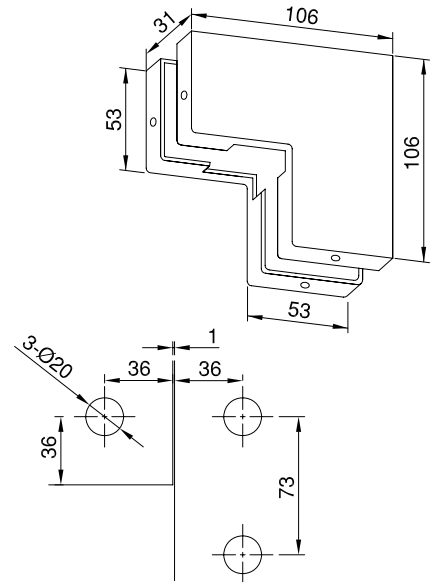


BOTTOM OR TOP PATCH LOCK FITTING WITH 20mm BOLT THROW AND SECURITY PROFILE ESCUTCHEON

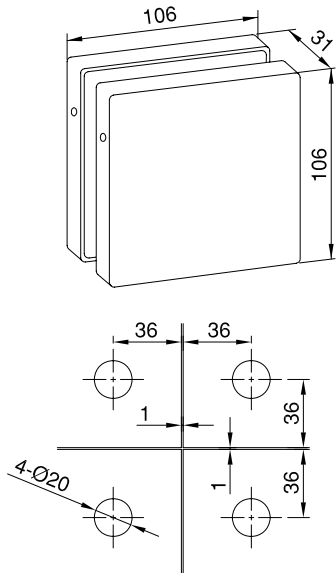




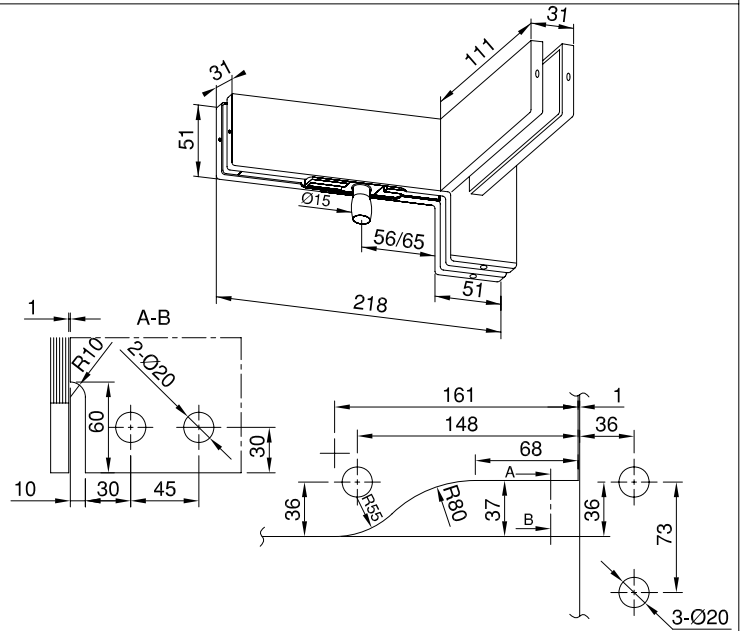
STRIKE BOX



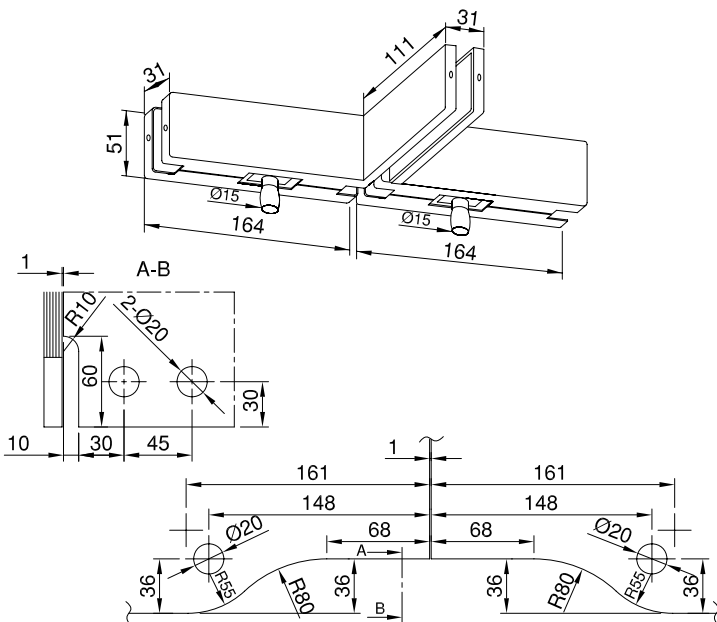
CONNECTOR FOR OVERPANEL & SIDE PANEL
(DOUBLE OR SINGLE ACTION DOOR USED)



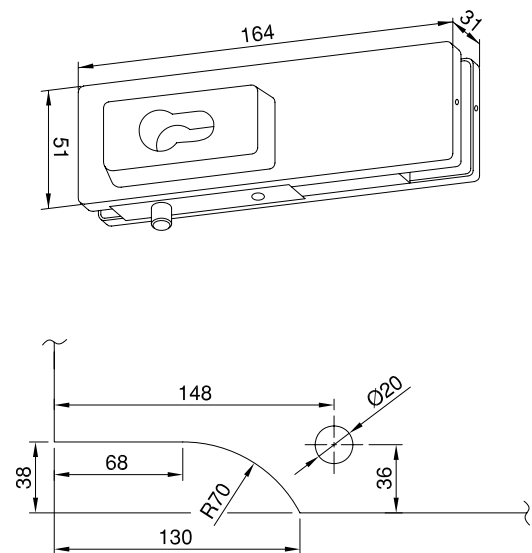
CONNECTOR FOR OVERPANEL & SIDE PANEL, WITH STOP



PATCH FOR OVERPANELS & SIDEPANEL WITH FIN FITTING INSIDE WIPIVOT



PATCH FOR OVERPANELS WITH FIN FITTING INSIDE FOR BACK TO BACK DOORS



ANGLE LOCK